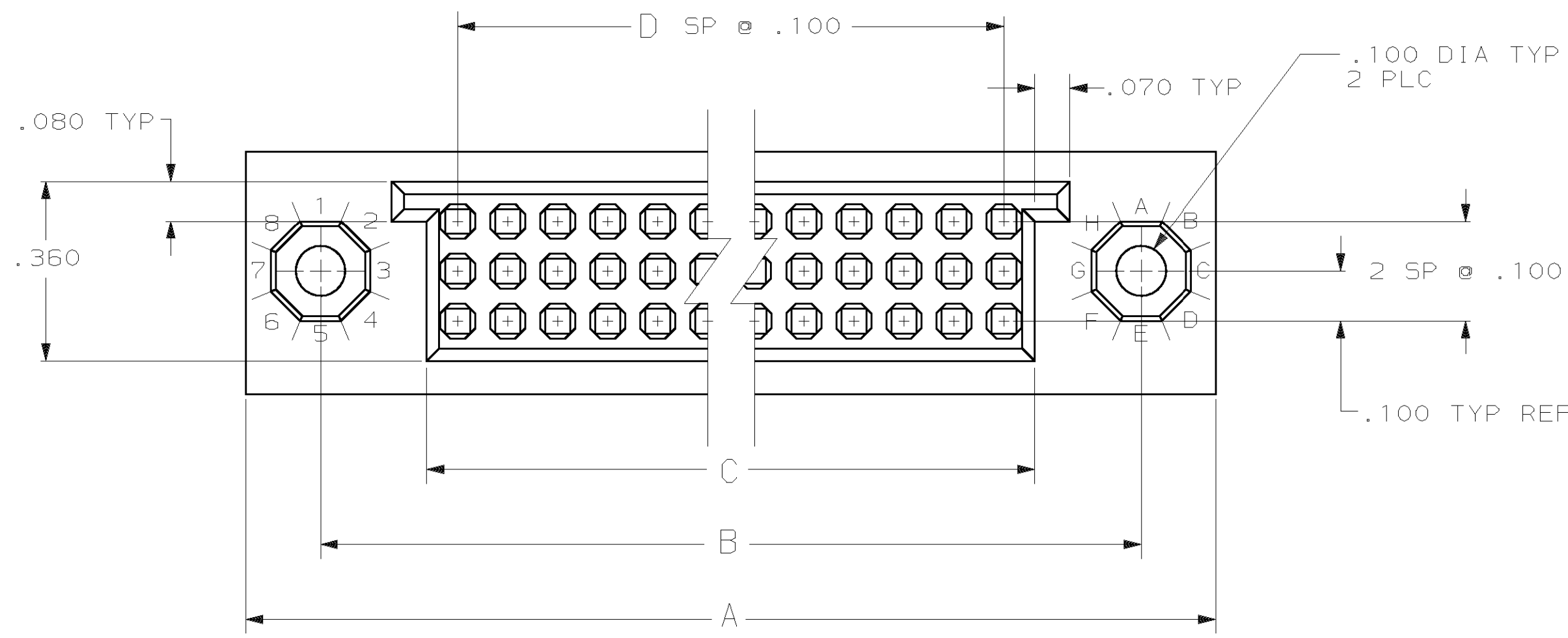
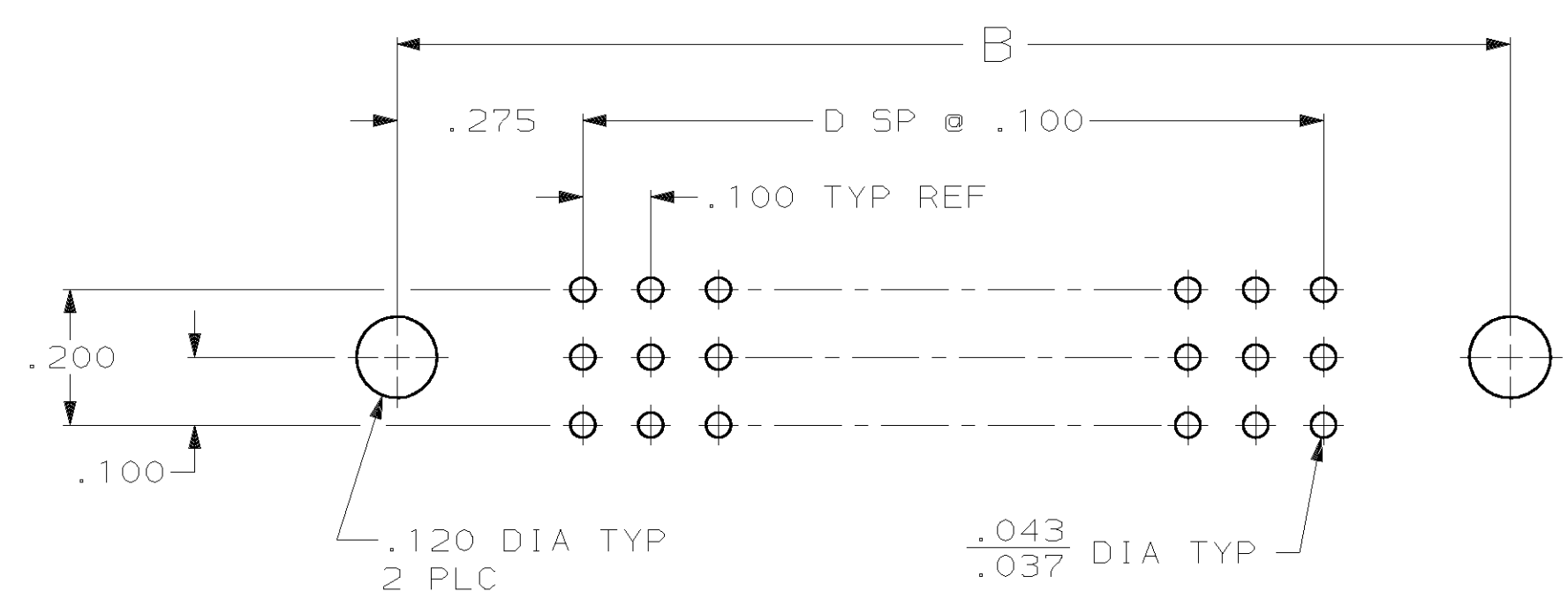
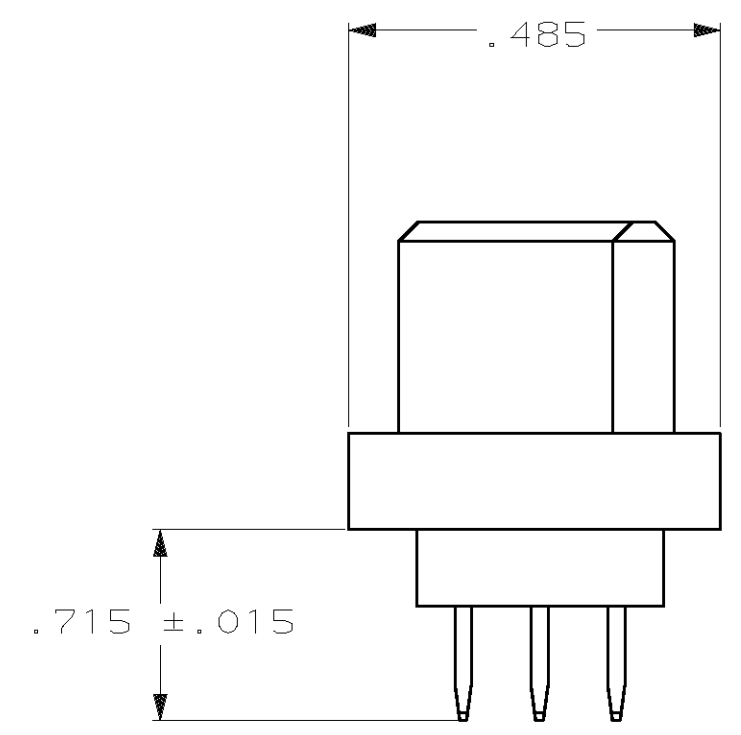
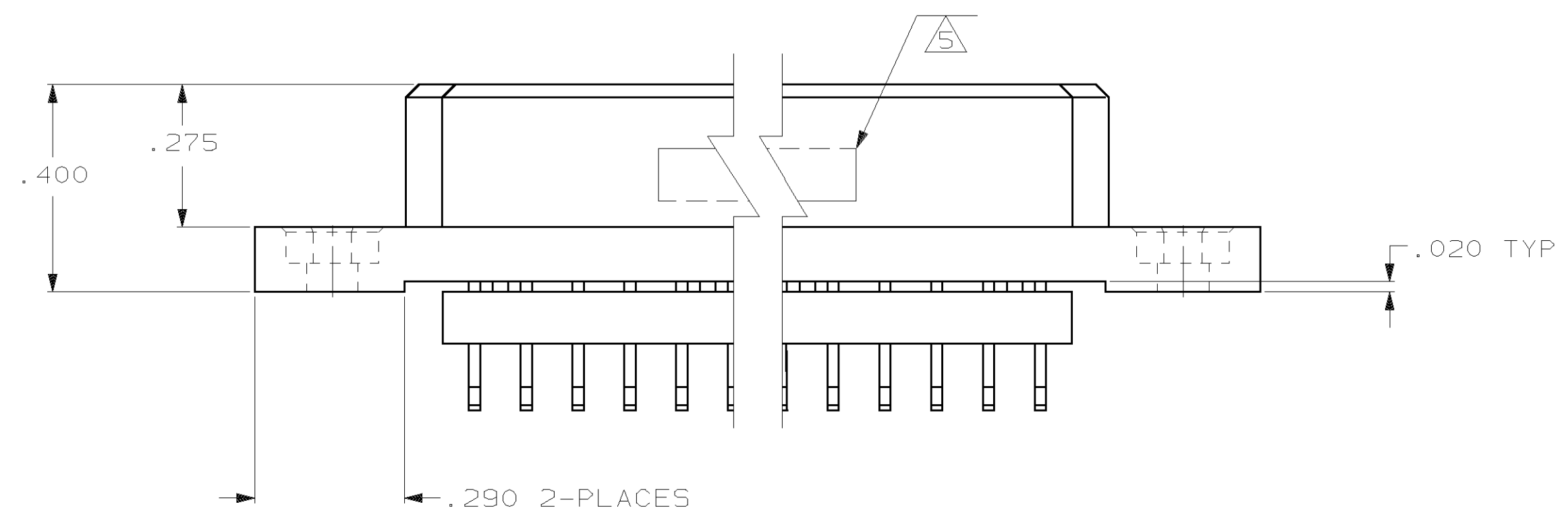


THIS DRAWING IS UNPUBLISHED. RELEASED FOR PUBLICATION
 © COPYRIGHT 19 BY AMP INCORPORATED. ALL INTERNATIONAL RIGHTS RESERVED.

LOC	DIST	P	F	ZONE	LTR	REVISIONS	DATE	APPD		
AD	25					0	RELEASED	02/87	LSB	
						B	REV. PER ECN AD5154	01-07-91	TH	
						C	REV. PER ECN 0066-92	10-14-92	RL	
						D	PER EC 0010-1248-95	T.S.	10-31-96	GS
						E	PER EC 0010-1534-95	T.S.	6-19-97	GS
						F	REV PER EC 0U1B-0035-00	15 MAR 00	WM	



- 1 HOUSING MATERIAL: POLYPHENYLENE SULFIDE. COLOR: NATURAL (BROWN).
- 2 POST MATERIAL: PHOSPHOR BRONZE.
- 3 POST FINISH: .000050 - .000100 NICKEL UNDERPLATE ALL OVER, .000050 GOLD IN CONTACT AREA. .000030 GOLD ON POSTS.
- 4. THIS CONNECTOR IS DESIGNED FOR NON-AUTOMATIC WIRE-WRAP APPLICATIONS ONLY.
- 5 AMP PART NUMBER AND DATE CODE MARKED IN THIS APPROXIMATE AREA.



PC BOARD LAYOUT

31	3.224	3.650	3.950	96	533493-1
D	C	B	A	POSN	PART NUMBER

DO NOT SCALE PRINT. UNLESS SPECIFIED DIMENSIONS IN mm [INCHES] TOLERANCES ON: 2 PLC DEC ± - 3 PLC DEC ± .005 ANGLES ± -		DR 02-09-87 L.BRINER CHK 02-09-87 V.WEBSTER APPD 02-09-87 V.WEBSTER APPD 02-09-87 V.WEBSTER		AMP AMP Incorporated Harrisburg, PA 17105-3608	
MATERIAL HSG 1 POST 2		PRODUCT SPEC -		NAME BOX II ASSEMBLY 3 ROW, WITH WIRE WRAP POSTS AND STABILIZER	
FINISH POST 3		APPLICATION SPEC -		SIZE C 00779	DRAWING NO 533493
WEIGHT -		SCALE 4:1		SHEET 1 OF 1	

THIS DRAWING IS A CONTROLLED DOCUMENT FOR AMP INCORPORATED. IT IS SUBJECT TO CHANGE AND THE CONTROLLING ENGINEERING ORGANIZATION SHOULD BE CONTACTED FOR THE LATEST REVISION.